

HDPE SPIRAL PIPE

POWER PLANT PIPE

DRAIN WATER PIPE

CULVERT PIPE

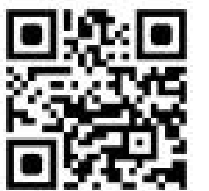


MALAYSIA SUPPLIER HDPE & PVC PIPES

R&J LINEAR INDUSTRIES SDN BHD (1062739W)

Phone: +603-8741 6547 / +6019-333 0460

Email: info@renazpipe.com



www.renazpipe.com

ADVANTAGE

Material:

PE100

Certified Standard:

DIN 16961: PART 2: 2010

Size:

ID 300mm through 3000mm
availability

Colour:

Black

APPLICATION

- Tough
- Light weight and easy to transport
- High chemical resistance
- Corrosion resistance
- Longer service life
- Excellent hydraulics
- Economical and easier installation
- Low cost handling at site
- High abrasion resistance compare to other pipe

GENERAL SPECIFICATION

- Sewerage pipelines
- Drainage pipelines
- Culverts
- Slurry lines
- Effluent lines
- Irrigation
- Waste gas ducts and ventilation
- Manhole / manhole drop
- Sea outfall
- Relining of old pipelines
- Slotted drain application
- Floats
- Rubbish chute for high-rise building
- On-site detention system (OSD)
- Pipe Jacket - to protect chilled steel water pipe, its annular space filled with foam for insulation
- Pipe Sleeve - to repair or erect new jetty pillar and for marine pile protection and rehabilitation.

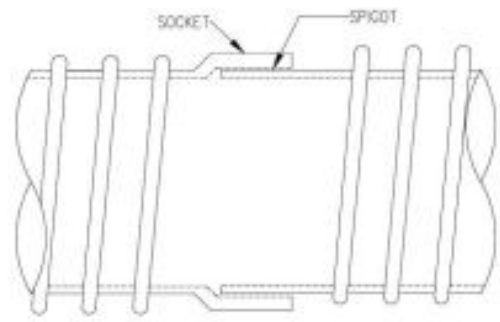
Spiral Pipes Data

Pipe Standard : DIN 16961

RS (N/cm ²)	O.4, Series 2, Class E	O.4, Series 2, Class E	O.4, Series 2, Class E	O.8, Series 3, Class F	O.8, Series 3, Class F	O.8, Series 3, Class F	1.6, Series 4, Class G	1.6, Series 4, Class G	1.6, Series 4, Class G
	Profile	Overall	Weight	Profile	Overall	Weight	Profile	Overall	Weight
ID	No	Thickness		No	Thickness		No	Thickness	
		mm	kg/m		mm	kg/m		mm	kg/m
300	-	-	-	-	-	-	5	37.0	11
400	-	-	-	-	-	-	5	37.0	14
450	-	-	-	-	-	-	5	37.0	15
500	-	-	-	-	-	-	5	37.0	17
533	-	-	-	-	-	-	5	37.0	18
600	-	-	-	5	37.0	20	6	37.0	24
750	5	37.0	25	6	37.0	29	9S	37.5	30
800	5	37.0	26	6	37.0	31	10S	37.5	34
900	5	37.0	29	9S	37.5	36	12S	39.0	43
1000	6	37.0	38	10S	37.5	42	14S	74.0	93
1200	9S	37.5	47	12S2	40.0	61	14S	74.0	111
1500	12S	39.0	69	14S	74.0	137	18S	82.0	193
1800	14S	74.0	164	16S	78.0	190	23S	111.0	289
2000	14S	74.0	181	20S	80.0	298	23S	111.0	319
2365	16S	78.0	248	23S	111.0	373	-	-	-
3000	23S	111.0	467	-	-	-	-	-	-

Types of Jointing for Spiral Pipes

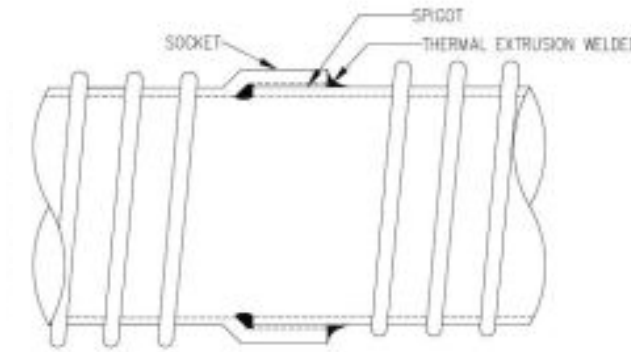
The following are the standard pipe joint used as per DIN 16961- 1:2011-01



'SPIRAL' SOCKET AND SPIGOT JOINT

Socket and Spigot Joint

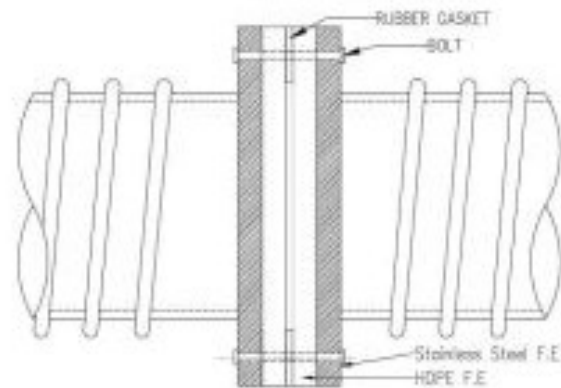
- The pipes are produced with socket and spigot at both end
- 2 pipe length are joined by slotting the spigot end into the socket end



'SPIRAL' THERMAL EXTRUSION WELDED JOINT

Thermal Extrusion Welded Joint

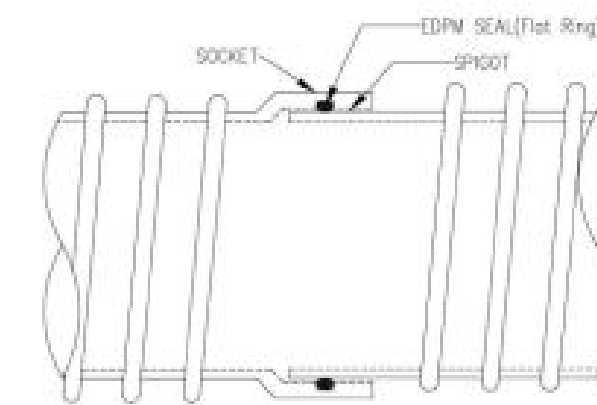
- The pipes are produced with socket and spigot at both ends
- 2 pipe lengths are joined by slotting the spigot into the socket. Extrusion welding is performed either internally, externally or both at the joint.
- <900 ID external weld only
- >900 ID internal weld and external weld only



'SPIRAL' BOLTED FLANGE JOINT

Bolted Flanged Joint

- PE flanges are made and welded to the actual pipe
- Steel backing flanges are weld to bolt the pipes together to enhance the strength of the PE flange
- Flanges of various type of standard can be provided
- Number of bolt holes varies with pipe diameters and applications



'SPIRAL' RUBBER RING JOINT

Elastomeric Ring Joint

- The pipes are produced with socket and spigot at both ends
- 2 pipe lengths are joined by slotting the spigot into the socket with elastomeric ring
- This only available up to ID 1200mm



R&J LINEAR INDUSTRIES SDN BHD (1062739W)
Phone: +603-8741 6547 / +6019-333 0460
Email: info@renazpipe.com
www.renazpipe.com

